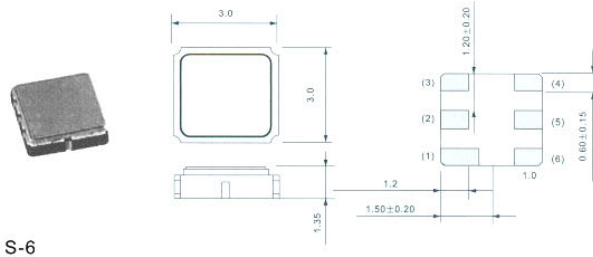
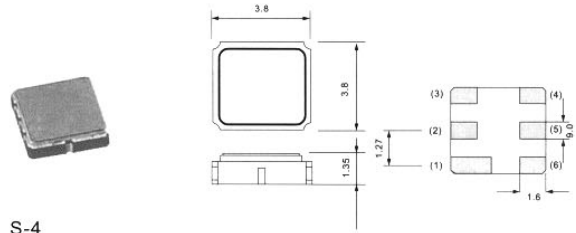
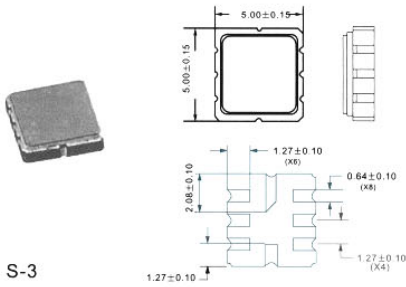
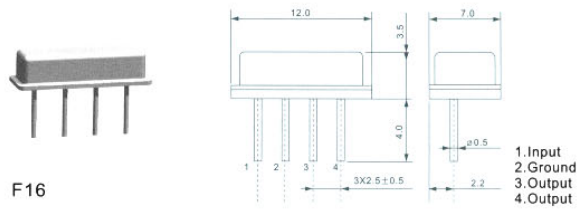
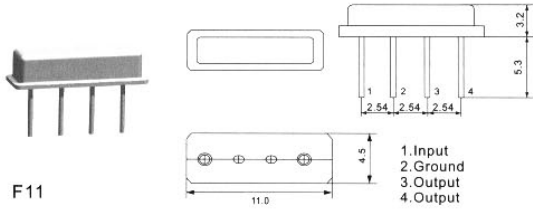


# SAW Filter

● **For Mobile communication**  
移动通信用



**RF Filter for Cordless Phones**  
无绳电话用声表面波滤波器

Type 型号	Center Frequency 中心频率	Bandwidth 1.5dB 1.5dB 带宽	Insertion loss(dB) 插入损耗	Package 封装
HDF422C	422.18	12	2.5	F11/S-4
HDF434C	433.91	12.3	2.5	F11/S-4
HDF465C	465.14	10.9	2.5	F11/S-4
HDF886A	886	10.2	3.0	F11/S-4
HDF914A	914.5	10.3	2.7	F11/S-4
HDF915AT	915	33	2.5	F11/S-4
HDF931A	931	9.4	3.0	F11/S-4
HDF959A	959.5	10.2	2.8	F11/S-4

**Contacts:**

TELCONA AG, Head Office: Höri, Switzerland      Tel. ++41-1-860 2550      Fax. ++41-1-860 2822      www.telcona.com  
 TELCONA AG, Sales Office: Sinsheim, Germany      Tel. ++49-7261-655 388      Fax. ++49-7261-655 389  
 TELCONA AG, Sales Office: Lésigny, France      Tel. ++33-1-60 34 28 28      Fax. ++33-1-60 34 28 29

# SAW Filter

## Filter for FRS & PMR 对讲机用滤波器

Part Number 型号	Center Frequency (Fo) 中心频率	Passband Width (MHz) 通带宽度	Insertion Loss (dB) 插入损耗	Stop-band Attention(dB) 阻带损耗		I/O Impedance 输入/输出阻抗		Package 封装
				Fo-100~Fo-40.8	Fo+40.8~Fo+100	A Type	B Type	
HDF□□□A HDF□□□B	398,402,406, 408,410,406, 418,422,425, 426,430,434, 438,442,444, 446,450,454, 458,462,465, 469,470,474, 478,482,486, 490,494,498, 502,506,510, 514,518,522, 526	Fo±2.0	4.5dB Max	55dB Min	55dB Min	50Ω/0pF	150Ω/0pF	F11 S-3 S-4
HDF□□□C HDF□□□D	436,415,425 448,458,468	Fo±5.0	4.0dB Max	Fo-45.8~Fo-39.8 55dB Min	Fo+39.8~Fo+45.8 55dB Min	50Ω/0pF (C Type)	150Ω/0pF (D Type)	

## Filter for Mobile Telephone 移动通讯用声表面波滤波器

Part Number 型号	Center Frequency 中心频率	1.5dB Passband 1.5dB 带宽	Insertion loss 插入损耗	Package 封装
HDF836AT	836.5	30	3.0	S-4
HDF881AT	881.5	34	3.0	S-4
HDF897AT	897.5	39	3.5	S-4
HDF942AT	942.5	40.5	3.5	S-4
HDF902AT	902.5	33	3.5	S-4

## IF& RF Filter for GPS 无线定位系统用射频及中频滤波器

Type 型号	Center Frequency 中心频率	Bandwidth 1.5dB 1.5dB 带宽	Insertion loss(dB) 插入损耗	Package 封装
HDF135T	135.42	3.76	13	F11/S-3
HDF137A	137.5	1.5	4.0	F11
HDF137T	137.5	1.5	13	F11
HDF175T	175.16	3.3	13	F11/S-3
HDF1288AT	1288	45	3.0	S-4/S-6
HDF1575AT	1575.42	23	3.0	S-4/S-6

### Contacts:

TELCONA AG,Head Office: Höri, Switzerland	Tel.++41-1-860 2550	Fax.++41-1-860 2822	www.telcona.com
TELCONA AG,Sales Office: Sinsheim, Germany	Tel.++49-7261-655 388	Fax.++49-7261-655 389	
TELCONA AG,Sales Office: Lésigny, France	Tel.++33-1-60 34 28 28	Fax ++33-1-60 34 28 29	

# SAW Filter

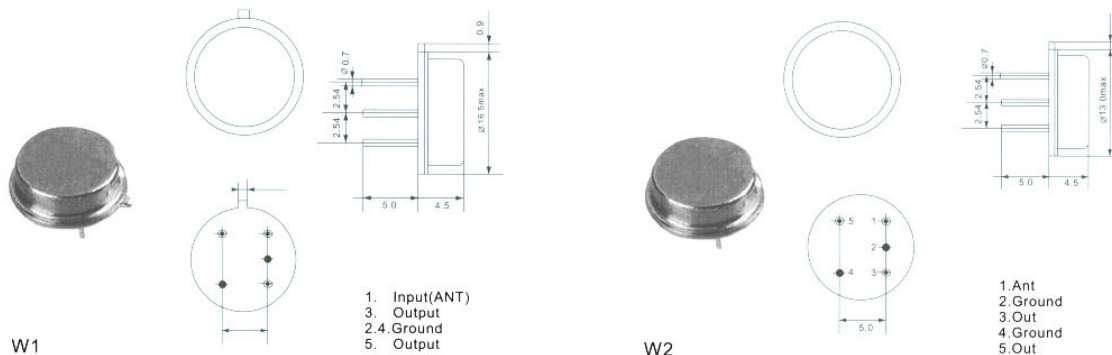
## Wireless Local Loop/Broadband Access Filter 本地回路及宽带接入用声表面波滤波器

Type 型号	Center Frequency 中心频率	Bandwidth 1.5dB 1.5dB 带宽	Insertion Loss(dB) 插入损耗	Package 封装
HDF70-1	70	9.3	10	F16
HDF112T	112.32	1.6	13.5	F16
HDF112N	112.32	1.6	6.0	F11/S-3
HDF140T1	140	7.1	5.9	F11
HDF140T2	140	20	11	F16
HDF204T	204	1.1	8	F16
HDF333T	333	0.6	7.5	F16

## IF Filter for Wireless LAN & Bluetooth 无线局域网及蓝牙技术用中频滤波器

Type 型号	Center Frequency 中心频率	Bandwidth 1.5dB 1.5dB 带宽	Insertion Loss(dB) 插入损耗	Package 封装
HDF110T1	110	4.0	6.8	F16
HDF110T	110	0.98	8.5	F16
HDF110N	110	1.6	6.0	F11/S-3
	110.592	1.6	6.0	F11/S-3
HDF240T1	240	1.3	11.0	F11
HDF240T2	240	10	14.0	F11
HDF260T	260	1.1	8.5	F16
HDF280T	280	19.8	7	F11/S-3
HDF325T	325	2	13.0	F11
HDF352A	352	5.6	2	F11/S-3
HDF371T	371	2.0	10.5	F16
HDF374E	374	22.0	8.5	F11/S-3
HDF1240AT	1240	20	2.9	S-4/S-6

## SAW Duplexer for Cordless Telephone 无绳电话用双工器



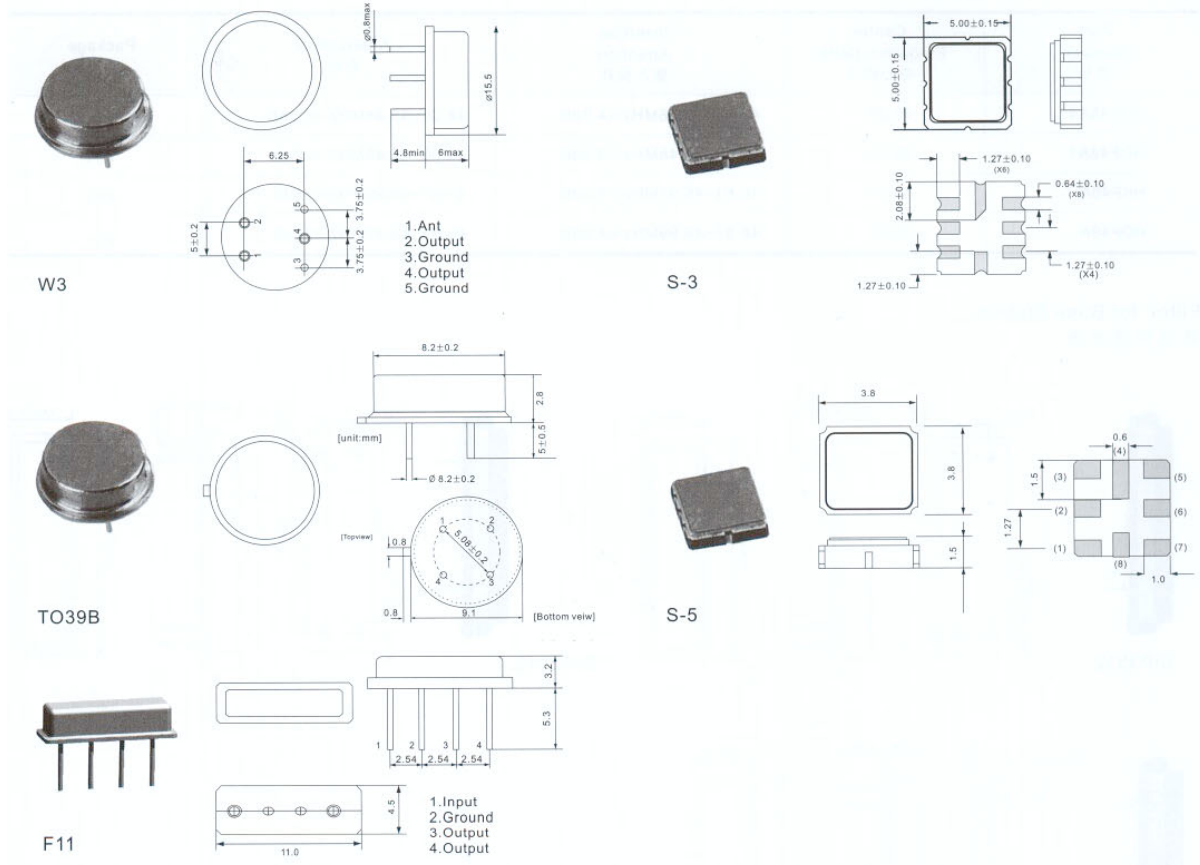
### Contacts:

TELCONA AG, Head Office: Höri, Switzerland  
TELCONA AG, Sales Office: Sinsheim, Germany  
TELCONA AG, Sales Office: Lésigny, France

Tel. ++41-1-860 2550  
Tel. ++49-7261-655 388  
Tel. ++33-1-60 34 28 28

Fax. ++41-1-860 2822 www.telcona.com  
Fax. ++49-7261-655 389  
Fax ++33-1-60 34 28 29

# SAW Filter



Part Number 型号	Center Frequency(MHz) 中心频率	Insertion Attention 插入损耗	Attenuation 衰耗	Package 封装
HDD46/49	46.79	46.61~46.97MHz≤4.0dB	49.67~49.99MHz ≥40dB	W2
	49.83	49.67~49.99MHz≤4.0dB	46.61~46.97MHz ≥40dB	
HDD40/49	40.68	40.50~40.86MHz≤4.5dB	49.70~50.02MHz ≥40dB	W3
	49.86	49.70~50.02MHz≤4.5dB	40.50~40.86MHz ≥40dB	
HDD45/48	45.24	45.00~45.48MHz≤6.0dB	48.00~48.48MHz ≥40dB	W2
	48.24	48.00~48.48MHz≤6.0dB	45.00~45.48MHz ≥40dB	
HDD31/40	31.175	31.025~31.325MHz≤6.0dB	39.925~40.225MHz ≥40dB	W1/W3
	40.075	39.925~40.225MHz≤5.0dB	31.025~31.325MHz ≥40dB	
HDD26/41	26.40	26.3125~26.4875MHz≤8.0dB	41.3125~41.4875MHz ≥40dB	W1/W3
	41.40	41.3125~41.4875MHz≤5.0dB	26.3125~26.4875MHz ≥40dB	
HDD03/27 B&H	903.75	902.75~904.75MHz≤4.5dB	923.8~927.6MHz ≥40dB	TO39B/S-3/S-5
	926.25	925.75~927.75MHz≤4.5dB	903.5~906.5MHz ≥40dB	
HDD86/31 B&H	886	885~887MHz≤4.5dB	929~933MHz ≥40dB	TO39B/S-3/S-5
	931	930~932MHz≤4.5dB	884~888MHz ≥40dB	TO39B/S-3/S-5
HDD14/59 B&H	914	914~916MHz≤4.5dB	957~961MHz ≥40dB	TO39B/S-3/S-5
	959	958~960MHz≤4.5dB	913~917MHz ≥40dB	TO39B/S-3/S-5

### Contacts:

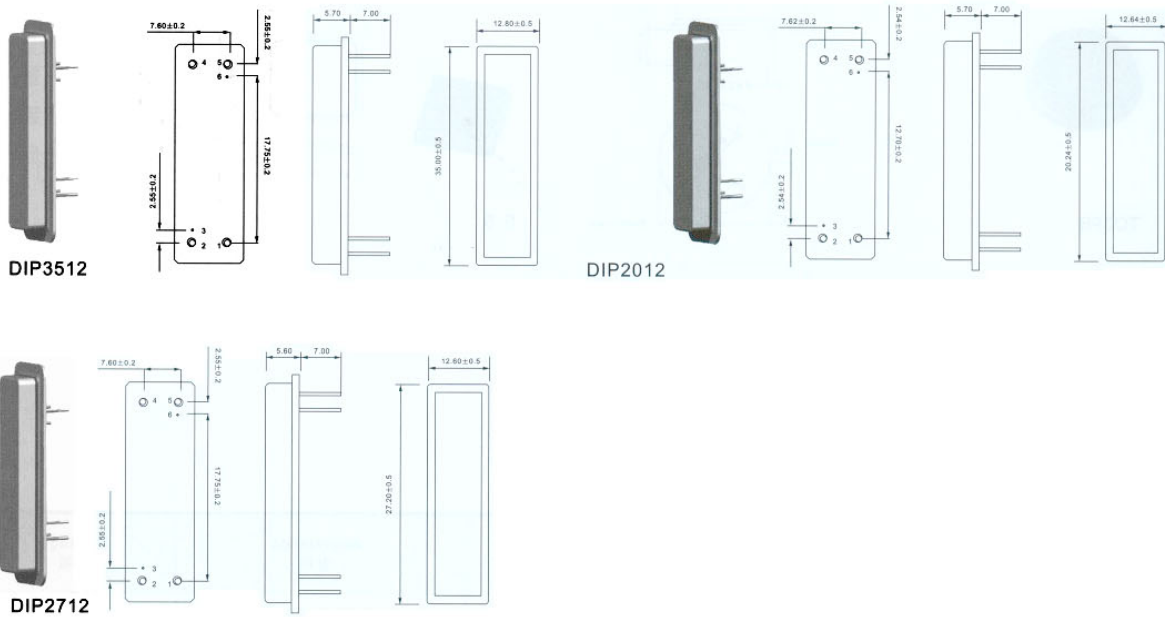
TELCONA AG,Head Office: Höri, Switzerland Tel.++41-1-860 2550 Fax.++41-1-860 2822 www.telcona.com  
 TELCONA AG,Sales Office: Sinsheim, Germany Tel.++49-7261-655 388 Fax.++49-7261-655 389  
 TELCONA AG,Sales Office: Lésigny, France Tel.++33-1-60 34 28 28 Fax ++33-1-60 34 28 29

# SAW Filter

Continued from the preceding page.

Part Number 型号	Center Frequency(MHz) 中心频率	Insertion Attention 插入损耗	Attenuation 衰耗	Package 封装
HDF45A1	45.24	45.00~45.48MHz≤4.5dB	48.00~48.48MHz≥35dB	F11
HDF48A1	48.24	48.00~48.48MHz≤4.5dB	45.00~45.48MHz≥35dB	F11
HKF46A	46.79	46.61~46.97MHz≤4.0dB	49.67~49.99MHz≥35dB	F11
HDF49A	49.83	46.97~49.99MHz≤4.0dB	46.61~46.97MHz≥35dB	F11

## Filter for Base Station 基站用滤波器



Part Number 型号	Center Frequency (MHz) 中心频率	-3dB Bandwidth (MHz) -3dB 带宽	Package 封装
HDF70-2	70	1.23	DIP3512
HDF70-3	70	1.5	DIP3512
HDF70-4	70	1.5	DIP3512
HDF70-5	70	1.5	DIP2712
HDF70-6	70	1.5	DIP2012
HDF70-7	70	2.5	DIP3512
HDF70-8	70	3	DIP2012
HDF70-9	70	4	DIP3512
HDF70-10	70	6	DIP3512
HDF70-11	70	9.4	DIP3512
HDF70-12	70	10.5	DIP3512
HDF70-213	70	14.5	DIP3512

### Contacts:

TELCONA AG, Head Office: Höri, Switzerland      Tel. ++41-1-860 2550      Fax. ++41-1-860 2822      www.telcona.com  
 TELCONA AG, Sales Office: Sinsheim, Germany      Tel. ++49-7261-655 389      Fax. ++49-7261-655 389  
 TELCONA AG, Sales Office: Lésigny, France      Tel. ++33-1-60 34 28 28      Fax. ++33-1-60 34 28 29